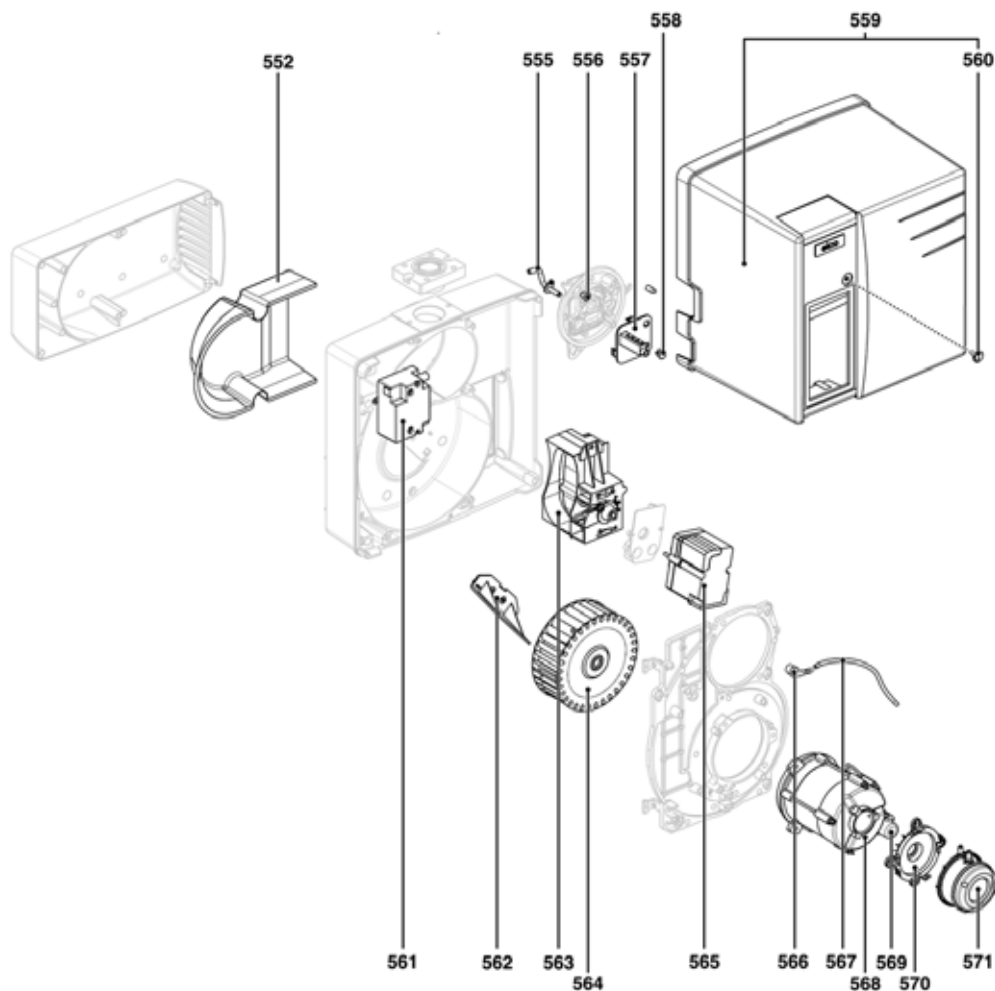
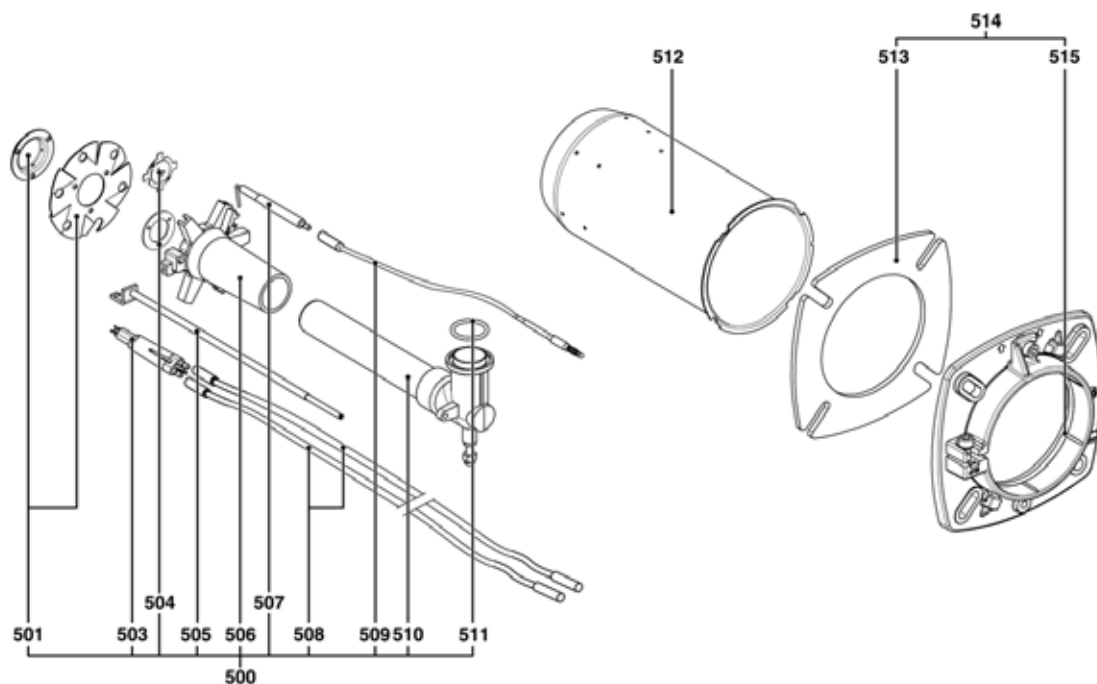


Brûleurs gaz NC12/16/21 GX2A et VG2.120/160/210 D

Brûleurs gaz NC12/16/21 GX2A et VG2.120/160/210 D

4

NOUVELLE GAMME - SERIE NC CUENOD - V ELCO



Brûleurs gaz NC12/16/21 GX2A et VG2.120/160/210 D

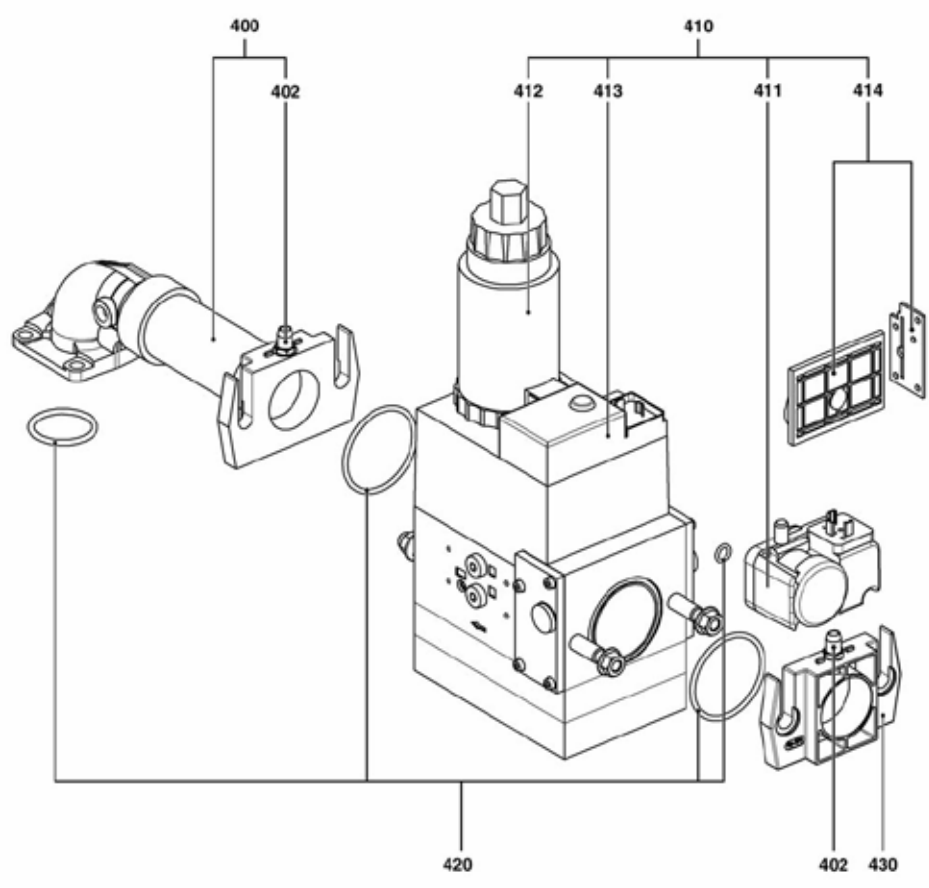
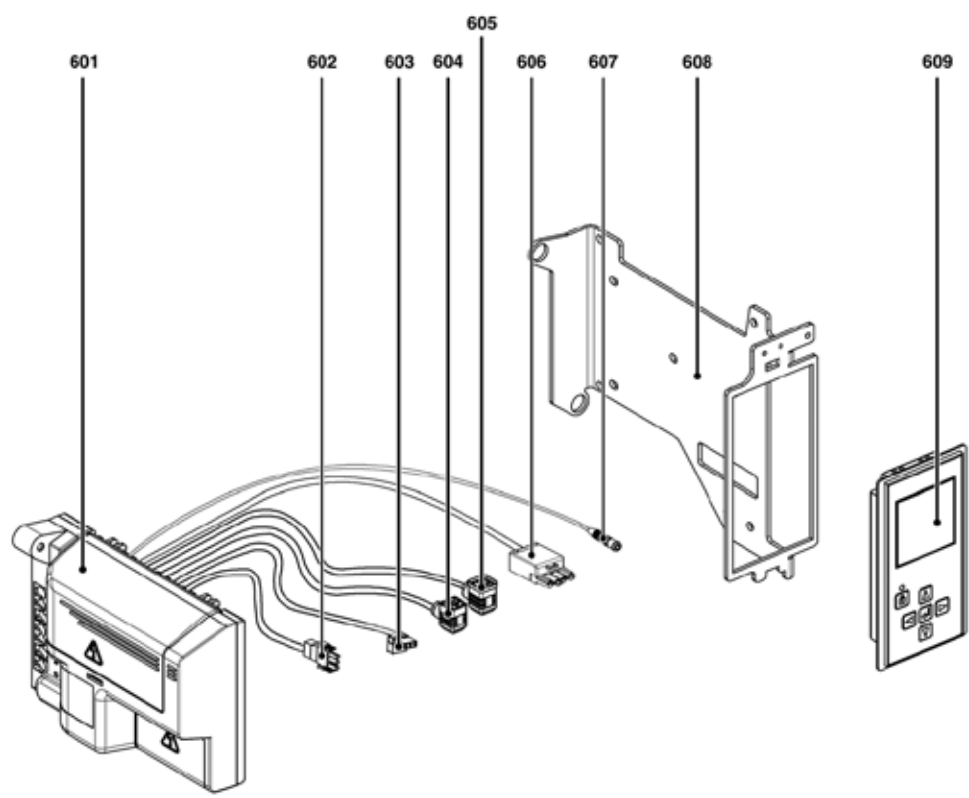
Pos.	CUENOD	ELCO	Désignation	Référence
500	NC12	VG2.120	LIGNE GAZ EQ. T1/KN (NC12-VG2.120)	65300762
	NC12	VG2.120	LIGNE GAZ EQ. T2/KL (NC12-VG2.120)	65300763
	NC16/21	VG2.160/210	LIGNE GAZ EQ. T1/KN (NC16/21-VG2.160/210)	65300764
	NC16/21	VG2.160/210	LIGNE GAZ EQ. T2/KL (NC16/21-VG2.160/210)	65300765
501	NC12	VG2.120	ENSEMBLE DEFLECTEUR D.74,5	13019123
	NC16/21	VG2.160/210	DEFLECTEUR D.91/30-6FD.+6D.9	13015802
503	NC12/16/21	VG2.120/160/210	ELECTRODE ALLUMAGE 2P	65300738
504	NC12	VG2.120	OBTURATEUR GAZ P D58,5	13019125
	NC16/21	VG2.160/210	DIFFUSEUR PROPANE	13018630
505	NC12	VG2.120	TIGE REG.TETE NC12 / VG02.120 (T1/KN)	13022192
	NC12	VG2.120	TIGE REG.TETE NC12 / VG02.120 (T2/KL)	13022193
	NC16/21	VG2.160/210	TIGE REGLAGE TETE T1	13018033
	NC16/21	VG2.160/210	TIGE REGLAGE TETE T2	13018034
506	NC12	VG2.120	ETOILE REPART.GAZ D.72	13010532
	NC16/21	VG2.160/210	ETOILE REPART.GAZ D.93	13010023
507	NC12/16/21	VG2.120/160/210	SONDE IONISATION D.6/8	13010529
508	NC12/16/21	VG2.120/160/210	CABLE ALLUMAGE L.365	13013524
	NC12/16/21	VG2.120/160/210	CABLE ALLUMAGE L.510	13014990
509	NC12/16/21	VG2.120/160/210	CABLE IONISATION L.350	13013525
	NC12/16/21	VG2.120/160/210	CABLE IONISATION L.650	13015121
510	NC12	VG2.120	COUDE GAZ T1/KN (NC12-VG2.120)	13018027
	NC12	VG2.120	COUDE GAZ T2/KL (NC12-VG2.120)	13018028
	NC16/21	VG2.160/210	COUDE GAZ T1/KN (NC16/21-VG2.160/210)	13021643
	NC16/21	VG2.160/210	COUDE GAZ T2/KL (NC16/21-VG2.160/210)	13020258
511	NC12/16/21	VG2.120/160/210	JOINT O'RING Ø30X3	13018089
512	NC12	VG2.120	EMBOUT D115/78-75X230	13020498
	NC12	VG2.120	EMBOUT D115/78-75X350	13020499
	NC16/21	VG2.160/210	EMBOUT 210 KW D.115/100 T1/KN	13018148
	NC16/21	VG2.160/210	EMBOUT 210 KW D.115/100 T2/KL	13018149
513	NC12/16/21	VG2.120/160/210	JOINT BRIDE D.115	13018135
514	NC12/16/21	VG2.120/160/210	ACCESSOIRES CHAUD. D.115	13018134
515	NC12/16/21	VG2.120/160/210	JOINT TRESSE D.115 - GRAPHITE (x1)	13020517
552	NC12/16/21	VG2.120/160/210	ISOLATION / BOITE A AIR	13017369
555	NC12/16/21	VG2.120/160/210	PIPE PRESSION AIR VG02/VG2 - NC12/21	13021961
556	NC12/16/21	VG2.120/160/210	PASSE FIL DIA 5 (2 PCS)	13007808
557	NC12/16/21	VG2.120/160/210	PLAQU.TABL.BORD GAZ	13021960
558	NC12/16/21	VG2.120/160/210	SERRE CABLE KL4/24Z	13010058
559	NC12/16/21	-	CAPOT EQUIPE NC12, 16, 21A / FC12, 16A	65300769
	-	VG2.120/160/210	CAPOT VECTRON 2	65300723
560	NC12/16/21	VG2.120/160/210	VIS FIXATION CAPOT	65300519
561	NC12/16/21	VG2.120/160/210	ALLUMEUR	13009663
562	NC12	VG2.120	AILERON RECYCL. BLANC	13017363
	NC16/21	VG2.160/210	AILERON RECYCL. NOIR	13017364
563	NC12/16/21	VG2.120/160/210	ENSEMBLE VOLET AIR	13018138
564	NC12	VG2.120	TURBINE 146X52	13010012
	NC16/21	VG2.160/210	TURBINE 160X52	13010095
565	NC12/16/21	VG2.120/160/210	SERVOMOTEUR STE 4,5 B0.37/6-R	65300527
566	NC12/16/21	VG2.120/160/210	RACCORD COUDE POLYAMID 1/8-D.4	13013352
567	NC12/16/21	VG2.120/160/210	TUYAU D.4/7	13015497
568	NC12/16	VG2.120/160	MOTEUR 160 W	13009981
	NC21	VG2.120	MOTEUR 130 W	13010014
569	NC12/16	VG2.120/160	CONDENSATEUR 5 µF (2P.3)	13009983
	NC21	VG2.210	CONDENSATEUR 6 µF (2P.3)	13010016
570	NC12/16/21	VG2.120/160/210	SUPPORT MANOSTAT HUBA	13020723
571	NC12/16	VG2.120/160	MANOSTAT AIR 0.5-5 mbar	13020502
	NC21	VG2.210	MANOSTAT AIR HUBA 604.92	13020722

Brûleurs gaz NC12/16/21 GX2A et VG2.120/160/210 D

Brûleurs gaz NC12/16/21 GX2A et VG2.120/160/210 D

4

NOUVELLE GAMME - SERIE NC CUENOD - V ELCO



Brûleurs gaz NC12/16/21 GX2A et VG2.120/160/210 D

Pos.	CUENOD	ELCO	Désignation	Référence
601	NC12/16/21	VG2.120/160/210	COFFRET TCG211.00	65300880
602	NC12/16/21	VG2.120/160/210	CABLE + PRISE / MOTEUR	13010519
603	NC12/16/21	VG2.120/160/210	CABLE + PRISE / ALLUMEUR	65300619
604	NC12/16/21	VG2.120/160/210	CABLE VANNE 2 ALL. EQ	65300570
605	NC12/16/21	VG2.120/160/210	CABLE + PRISE MANOSTAT GAZ	13023698
606	NC12/16/21	VG2.120/160/210	CABLE + PRISE WIELAND 4P (2E ALL.)	65300531
607	NC12/16/21	VG2.120/160/210	CABLE IONISATION L.350 + PRISE	65300158
608	NC12/16/21	VG2.120/160/210	PLATINE SUPPORT COFFRET	65300727
609	NC12/16/21	VG2.120/160/210	AFFICHEUR/COFFRET TCH2/3xx-TCG2/5xx	65301109

Pos.	Rampe	Désignation	Référence
400	407	COLLECTEUR MONTE 3/4	13018098
	412	COLLECTEUR GAZ MONTE	13018623
402	407/412	RACCORD / PRISE P.R1/8-D.9	13009722
410	407	VANNE GAZ MB-ZRDLE 407 B01 S20	13010071
	412	VANNE GAZ MB-ZRDLE 412 B01 S20	13012275
411	407/412	MANOSTAT DUNGS GW 150 A5 A5 DIN	13010078
412	407	BOBINE DUNGS N°1101 (VS + VA)	13010072
	412	BOBINE DUNGS N°1201 (VS + VA)	13012273
413	407	BOBINE DUNGS N°1150 (VA2)	13010073
	412	BOBINE DUNGS N°1250 (VA2)	13012272
414	407	ELEMENT FILTR. MB...405/407	13016011
	412	ELEMENT FILTR. MB...410/412	13016012
420	407	KIT JOINT (RAMPE GAZ)	13011111
	412	KIT JOINT O'RING MBZRDLE 412	13011114
430	407	BRIDE RP3/4 MB405/407	13010074
	412	BRIDE DUNGS RP1"1/4 MB410/412	13010085